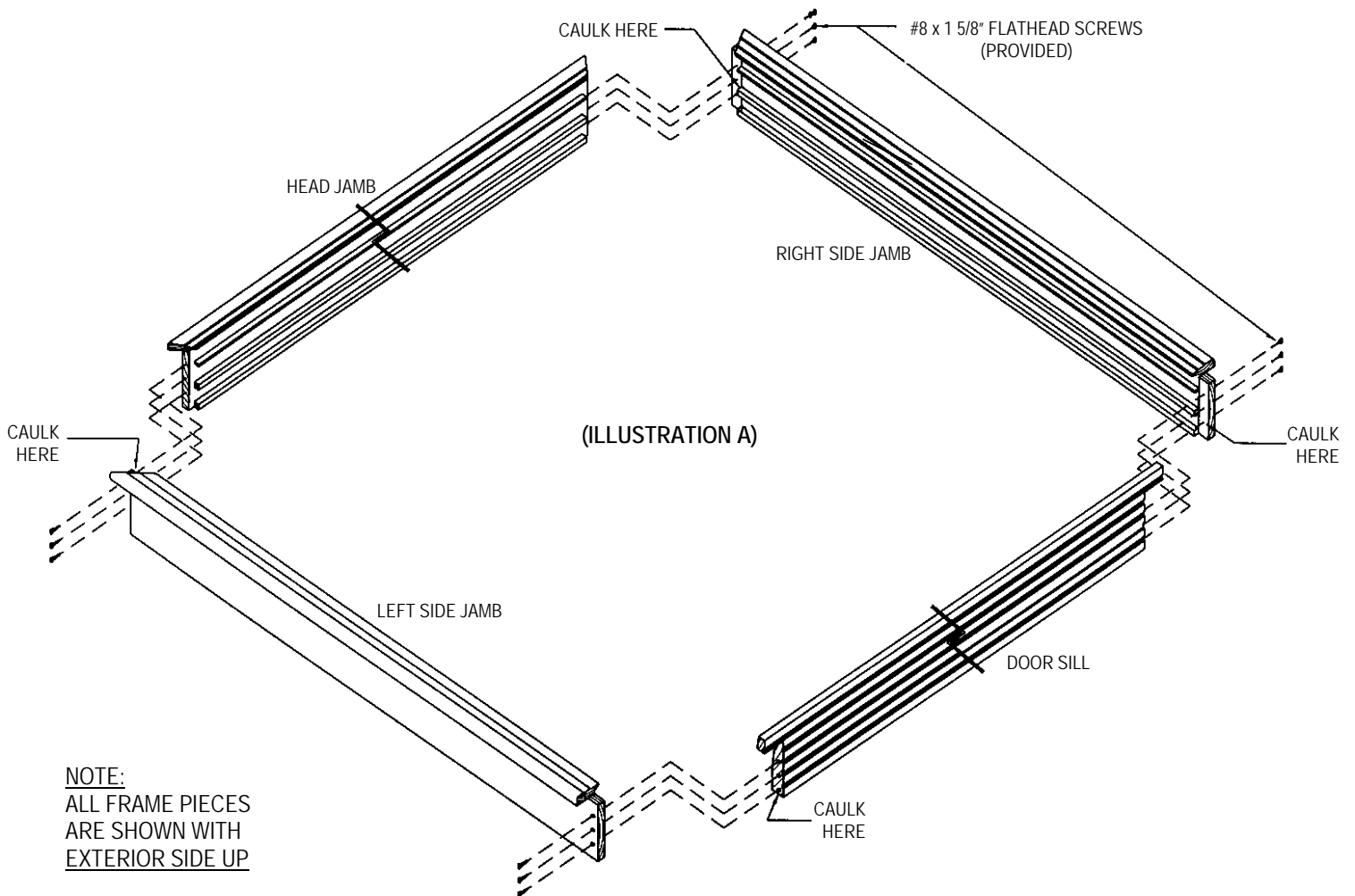


JT Windows, Inc.

*Quality Crafted Windows & Doors
Since 1978*

FRAME ASSEMBLY INSTRUCTIONS



PRE-ASSEMBLE FRAME BEFORE INSTALLING INTO ROUGH OPENING

ASSEMBLE THE FRAME HORIZONTALLY WITH SIDE JAMBS ON NARROW SIDES

The frame must be assembled horizontally, on a clean and flat floor or large worktable. To avoid scratching the wood surface make sure that your work surface is clean. To assemble the frame, stand the four frame parts on their narrow sides (with horns facing upwards on the sill). As you lay out the four parts of the frame, make sure that the left and right side jambs are in correct position, relative to the sill and head jambs. The left and right side jambs can be distinguished by the distance of the parting bead from the side of the jamb (See illustration A above).



APPLY CAULK TO JOINT SURFACES AND ATTACH SIDE JAMBS

Before fitting the four legs of the frame together, apply a generous amount of silicone or caulk on all four joint surfaces. Attach (with screws provided) the bottom right and bottom left jambs to the sill, and the top right and top left jamb to the head jamb. The head jamb parting bead must fit into the channel of the jamb legs (see detail 1 on page 3). As you do this, you must ensure that the corners of the left side jamb and right side jamb, which join the sill and head jamb, are flush and align with one another before screwing the joints together. If the joint surfaces do not have flat, level contacts, the door frame will not properly align. This will cause the door to slide roughly after it has been installed. By pressing down on a flat surface, as you fasten the corners, you will ensure that all surfaces of the frame are flush; and the frame itself will more likely be square.

INSTALLATION INSTRUCTIONS

STEP 1a: Before installing the frame into the rough opening apply a generous amount of caulking on the building floor. (See Illustration B below)

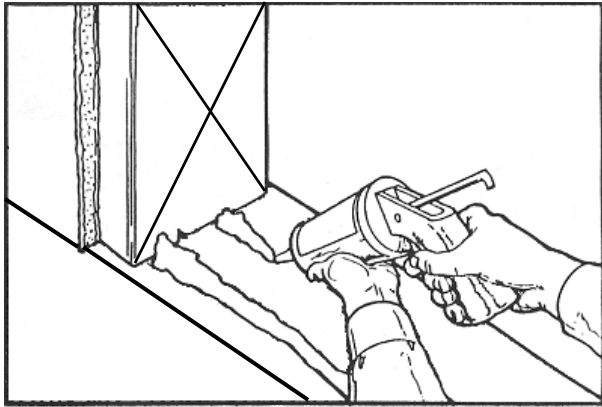


Illustration B

STEP 1b: Then, position the frame in the rough opening. **CHECK FOR SQUARENESS** according to Illustration C (below). If the doorframe is not square, check the corner joints to make sure they fit flush. Once squareness has been verified, tack-nail into place.

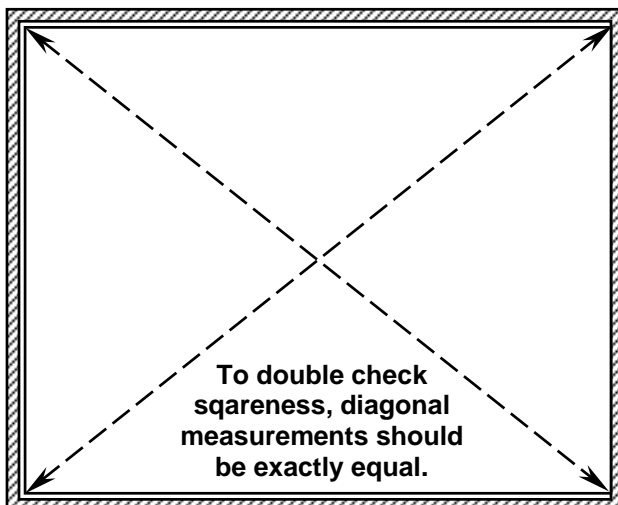


Illustration C

STEP 2: Because it is unlikely your rough opening will be exactly square, it will require shimming to hold your door frame securely squared to the house structure. Shims should be spaced approximately 18 inches apart where needed and no more than 3 inches from any corner. After shimming, check for final squareness and proceed with finish nailing. It is recommended that final nailing be done through the shim areas to assure a solid, square installation.

NOTE: Before installing doors, see **JT FINISHING INSTRUCTIONS** on last page of these instructions.

STEP 3: Now you are ready to install the stationary door. When installed, this door verifies that your frame is square and helps keep it square during other installation procedures. To install the stationary door, position the top of the door (the narrow rail) into the center of the jamb channel. (See Detail 1 on page 3). Make sure the edge angle on the bottom rail (the wider rail) matches the angle on the sill. Holding the top rail snugly up into the top frame jamb-channel, swing the bottom rail into position on the sill. It may be necessary to remove the screen door track to swing the bottom in. (Remove track screws and carefully lift out of sill channel). Slide the stationary door firmly against the stationary end of the jamb leg channel. Be sure the stationary door is butted firmly up against the alignment ridge on the sill. Re-install screen track. Secure the door into position by toenailing at both top and bottom of stile. For a weather-tight seal, install a bead of caulk around the entire perimeter of the stationary door.

STEP 4: With the frame and stationary door in place, it is time to install the sliding door. Remove the 1/2" x 1/2" stop from the face side of the head jamb. From the inside, set the active

door on the track. Move the door both ways to assure proper roller action. Re-attach the 1/2" x 1/2" stop at the top of the frame to keep the sliding door from tipping out of the frame. (See Illustration D below).

DETAIL 1

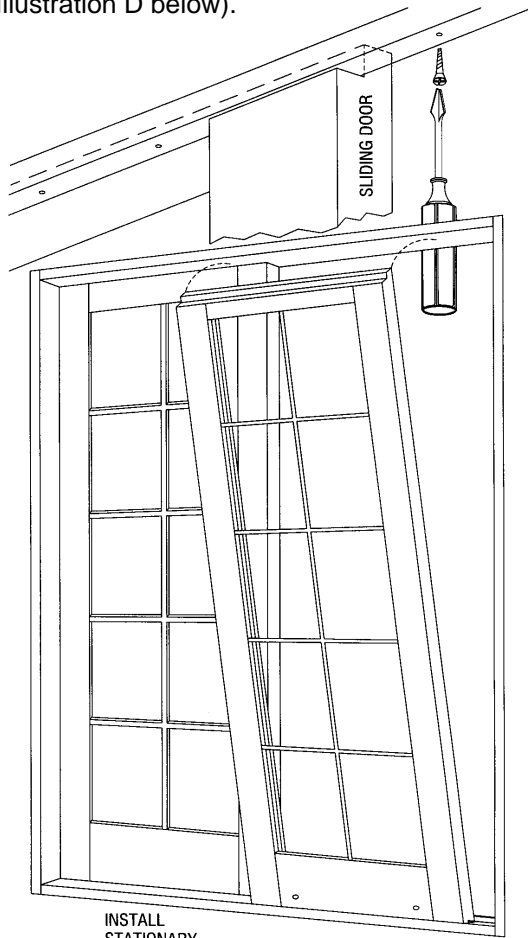
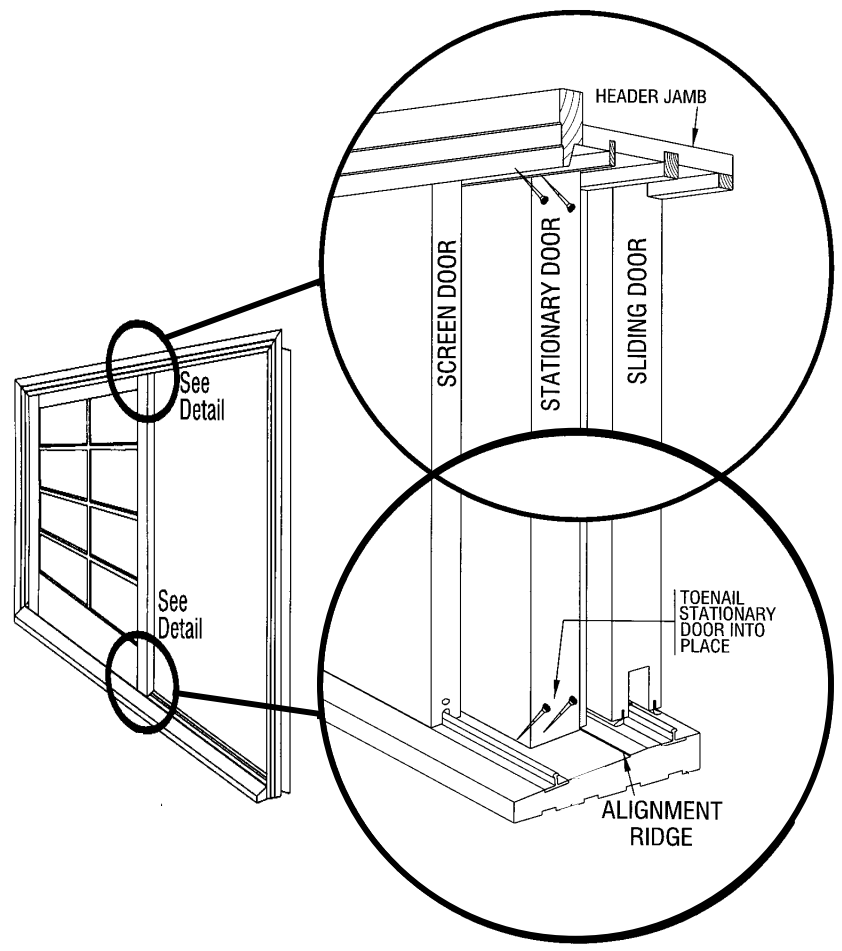


Illustration D



Adjust the wheel height with adjustment screws located on the inside of the bottom rail at either end of the door. Turning screw clockwise raises the door (see Illustration E below). Make sure the slider closes squarely and snugly into the channel at the closing side of the frame. If necessary, adjust the wheel heights to correct misaligned door stile with squared door frame. Install wheel adjustment hole plugs.

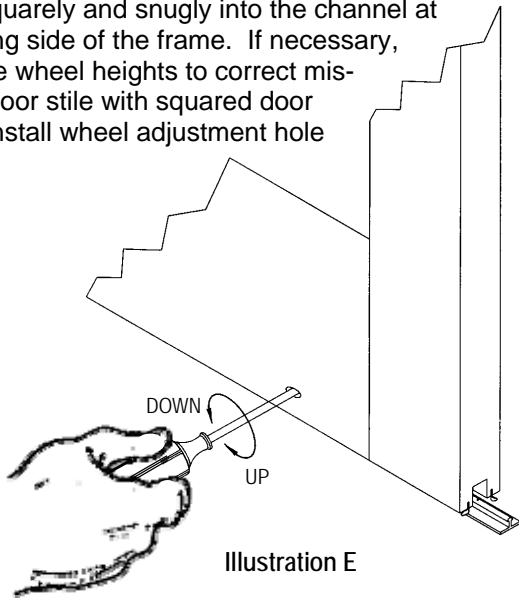


Illustration E





JT Windows, Inc.

Since 1978

****IMPORTANT NOTICE****

**STRIKE MUST BE SURFACE
MOUNTED TO JAMB.
DO NOT MORTISE!**

